



溝長 FLUTE LENGTH DR2
先端角 POINT ANGLE 120°
シャンク SHANK Φ3.175

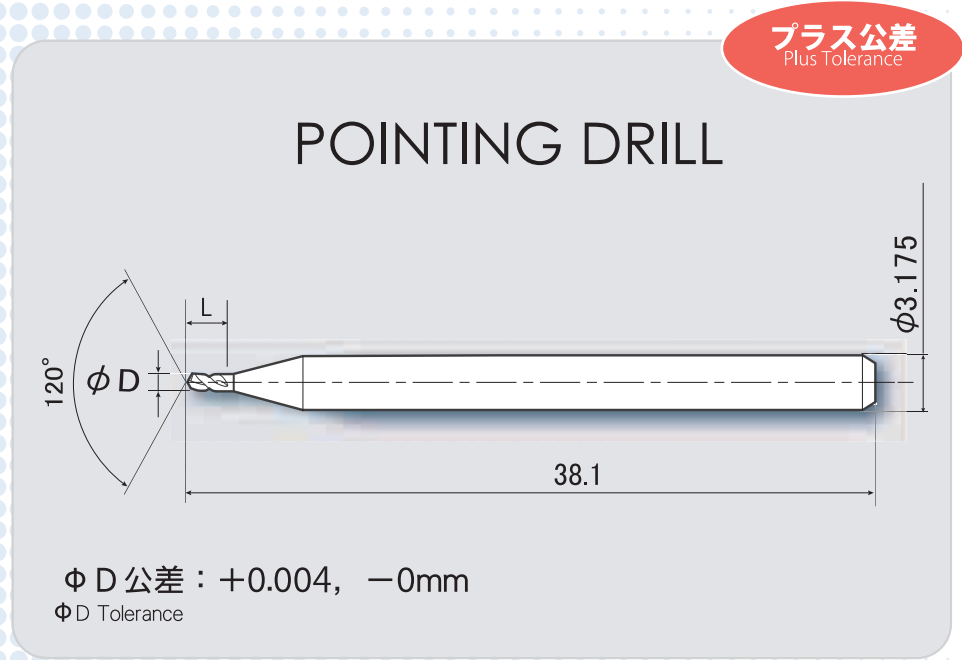
IMSD
POINTING DRILL



IMSD ポインティングドリル

超微粒超硬合金ドリル φD: 0.040~1.00
Made of only micro-grain carbide

耐摩耗性と直進性に優れたポインティングドリル
Pointing Drills with excellent linearity and wear resistance.



径	型番	溝長	定価
φD	Description	L	Unit Price
0.040	IMSD-0040-N0.08	0.08	¥15,000
0.045	IMSD-0045-N0.09	0.09	¥15,000
0.050	IMSD-0050-N0.10	0.10	¥10,000
0.055	IMSD-0055-N0.11	0.11	¥10,000
0.060	IMSD-0060-N0.12	0.12	¥9,000
0.065	IMSD-0065-N0.13	0.13	¥9,000
0.070	IMSD-0070-N0.14	0.14	¥8,000
0.075	IMSD-0075-N0.15	0.15	¥8,000
0.080	IMSD-0080-N0.16	0.16	¥7,000
0.085	IMSD-0085-N0.17	0.17	¥7,000
0.090	IMSD-0090-N0.18	0.18	¥6,000
0.095	IMSD-0095-N0.19	0.19	¥6,000
0.100	IMSD-0100-N0.20	0.20	¥4,000
0.150	IMSD-0150-N0.30	0.30	¥4,000
0.200	IMSD-0200-N0.40	0.40	¥4,000
0.250	IMSD-0250-N0.50	0.50	¥4,000
0.300	IMSD-0300-N0.60	0.60	¥4,000
0.350	IMSD-0350-N0.70	0.70	¥4,000
0.400	IMSD-0400-N0.80	0.80	¥4,000
0.450	IMSD-0450-N0.90	0.90	¥4,000
0.500	XIMSD-0500-N0.60	0.60	¥4,000
0.500	IMSD-0500-N1.00	1.00	¥4,000
0.550	IMSD-0550-N1.10	1.10	¥4,000
0.600	IMSD-0600-N1.20	1.20	¥4,000
0.650	IMSD-0650-N1.30	1.30	¥4,000
0.700	IMSD-0700-N1.40	1.40	¥4,000
0.750	IMSD-0750-N1.50	1.50	¥4,000
0.800	IMSD-0800-N1.60	1.60	¥4,000
0.850	IMSD-0850-N1.70	1.70	¥4,000
0.900	IMSD-0900-N1.80	1.80	¥4,000
0.950	IMSD-0950-N1.90	1.90	¥4,000
1.000	IMSD-1000-N2.00	2.00	¥4,000